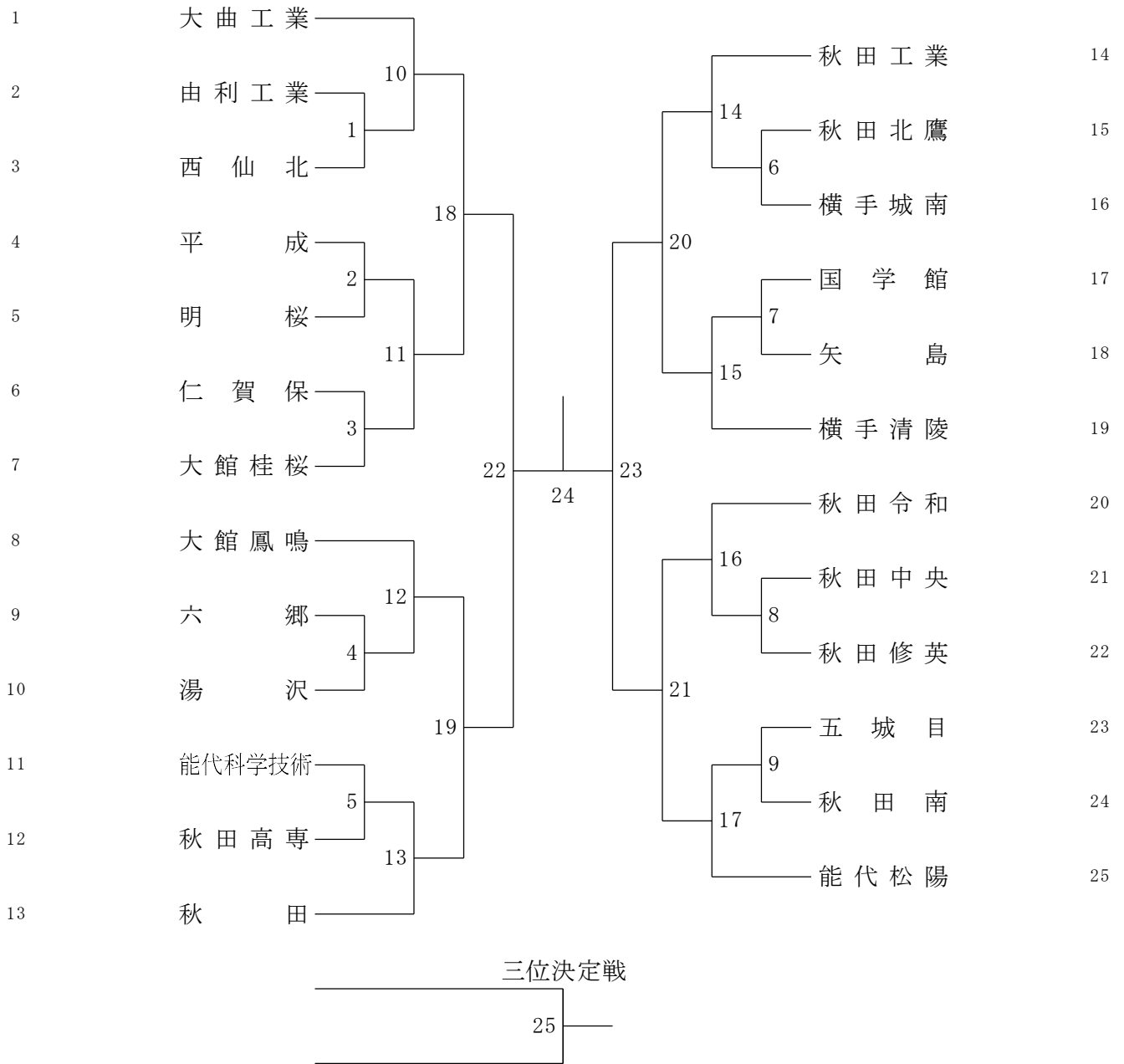
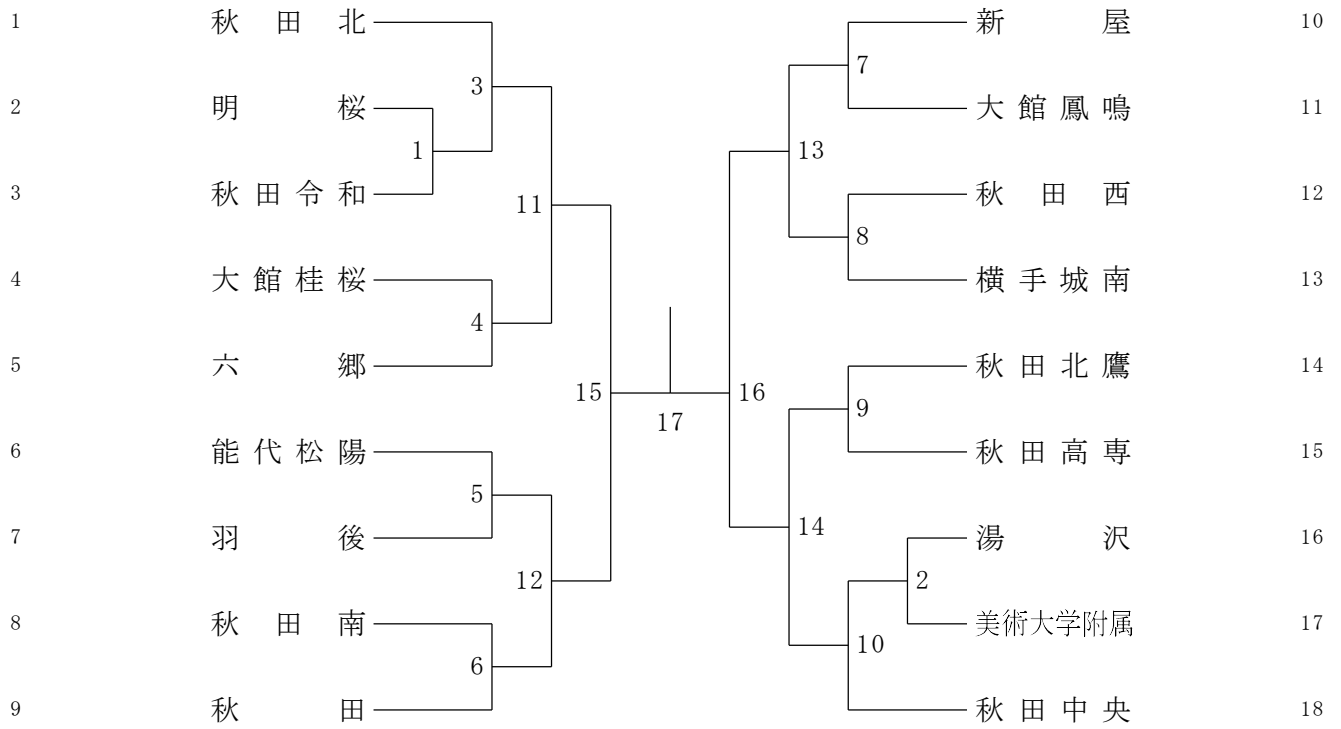


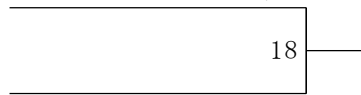
男子団体



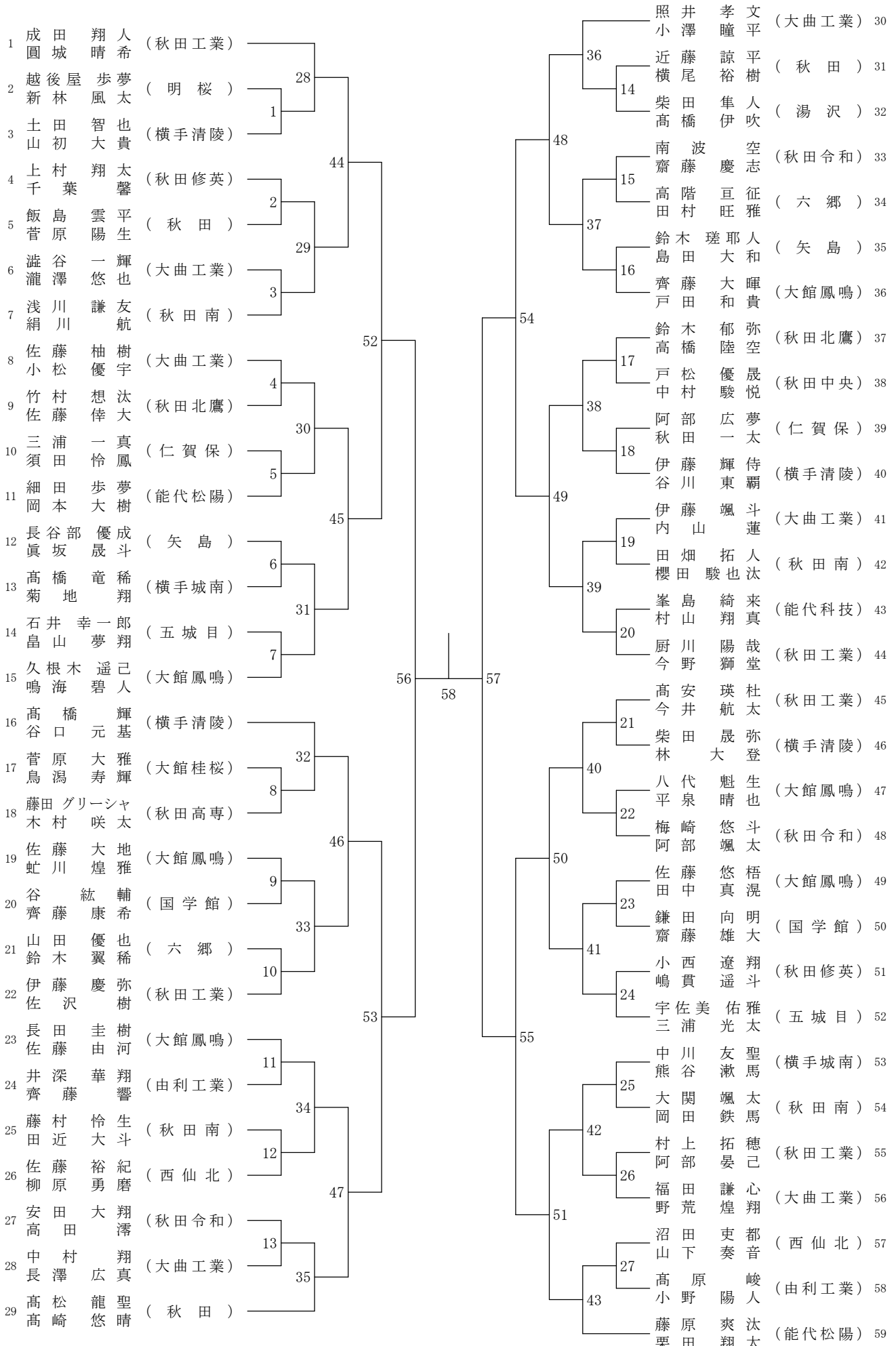
女子団体



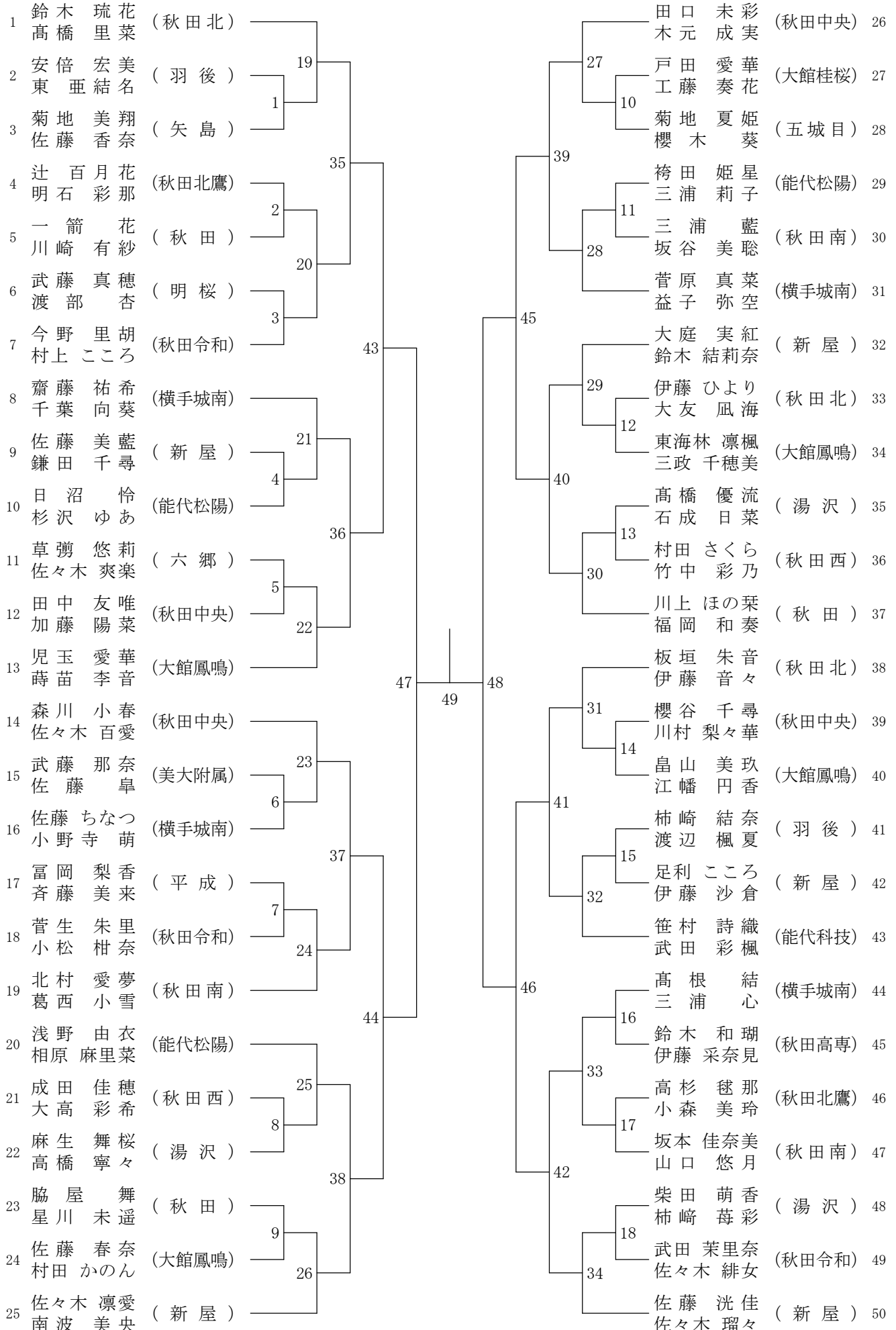
三位決定戦



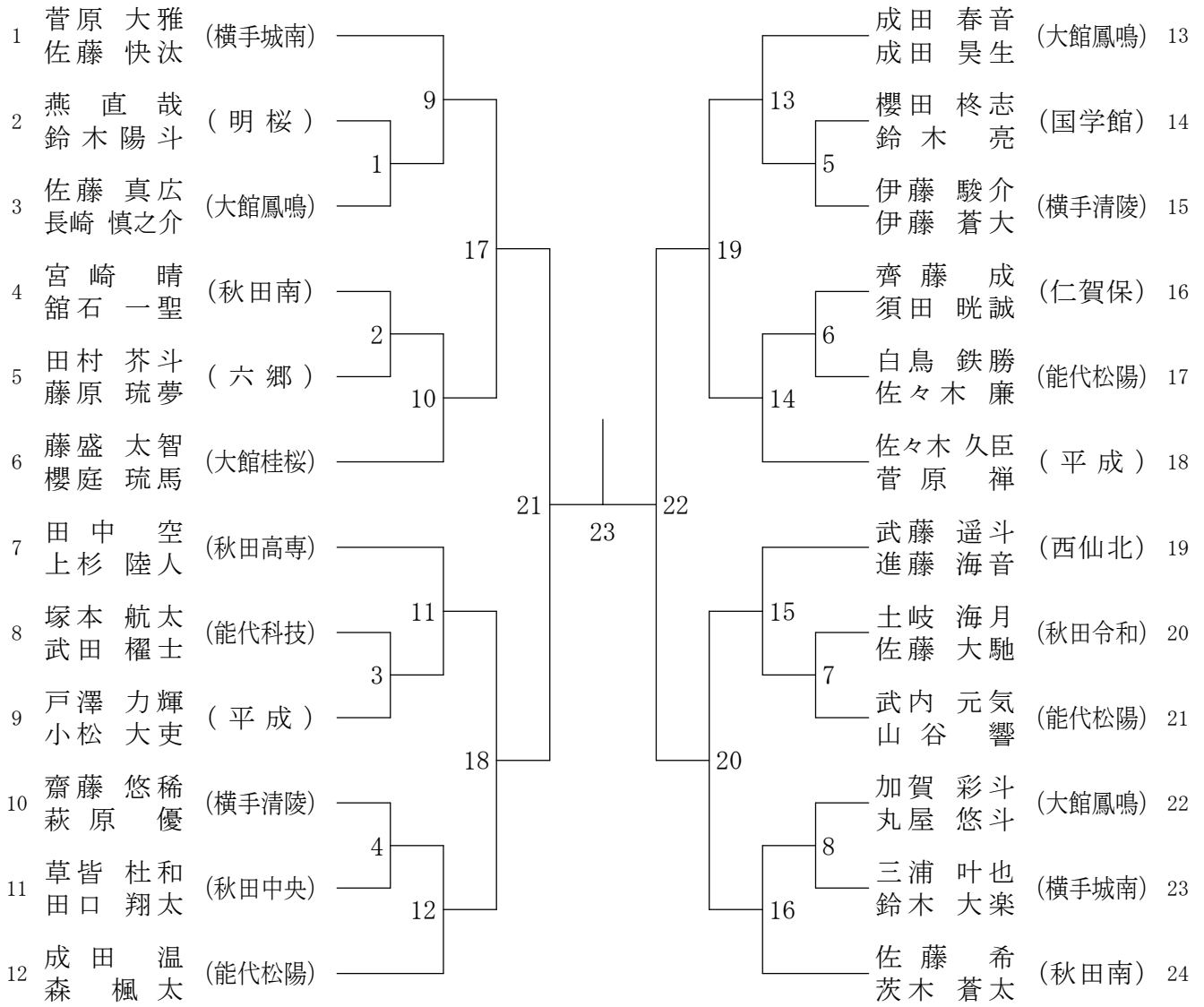
男子ダブルス1部



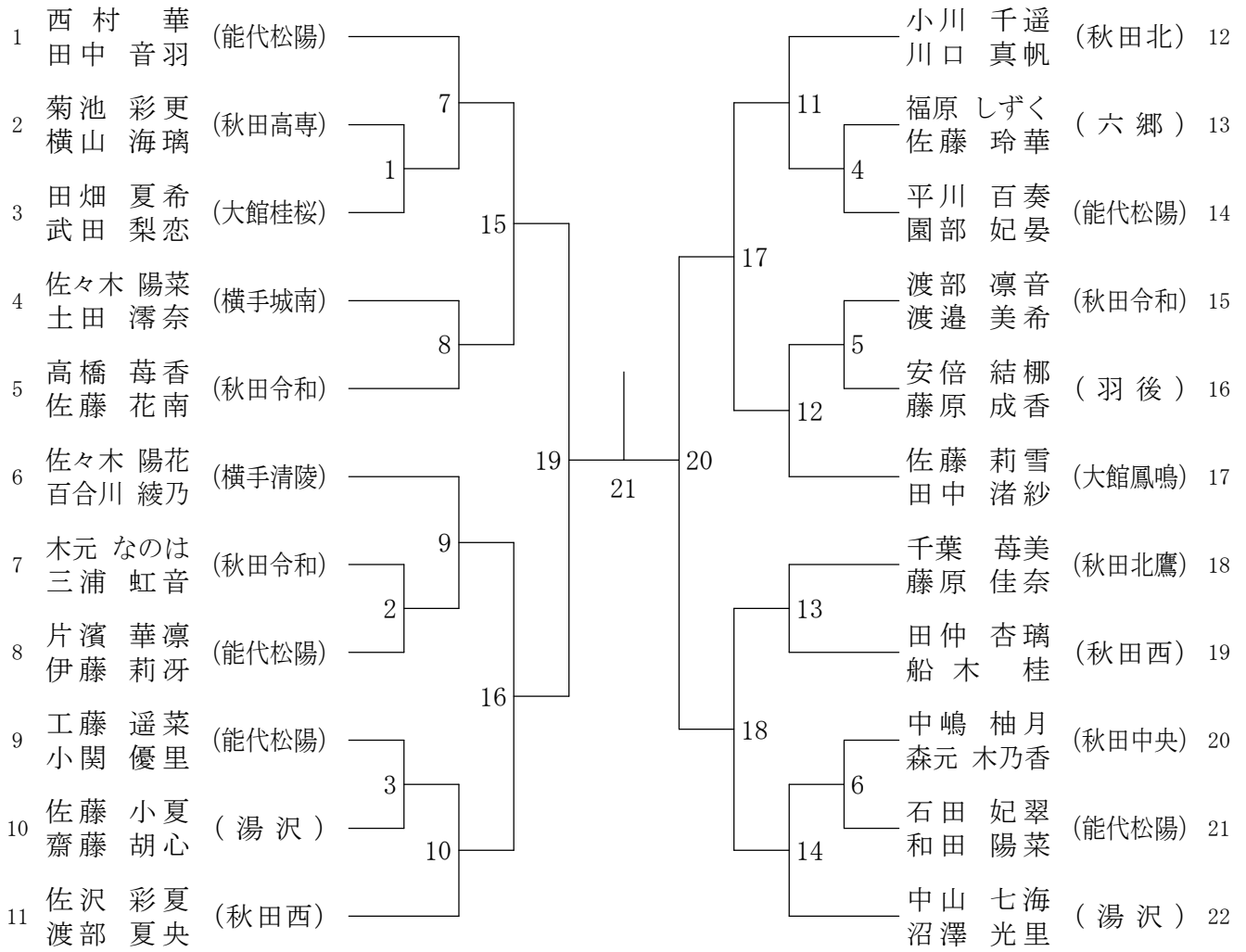
女子ダブルス 1部



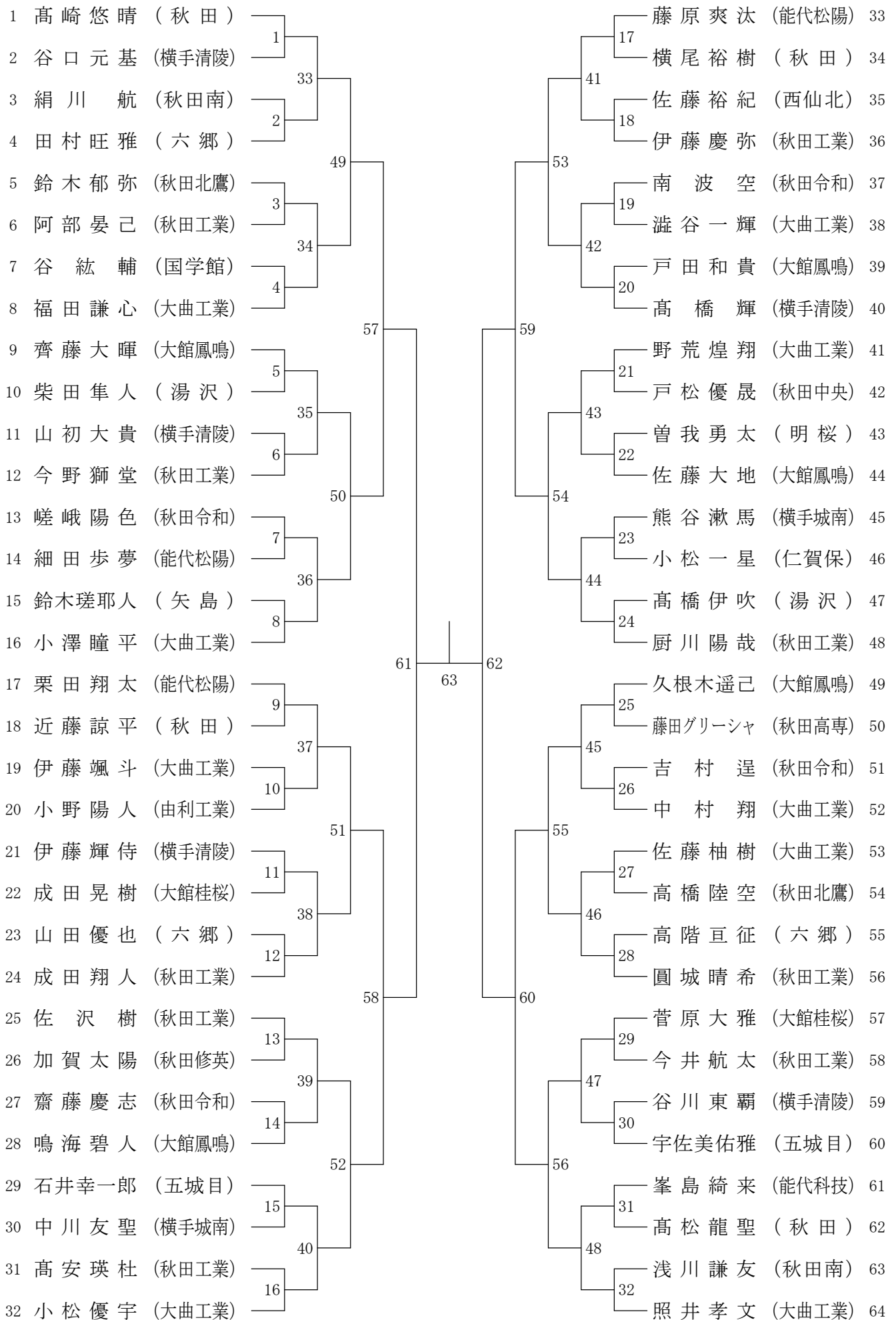
男子ダブルス 2部



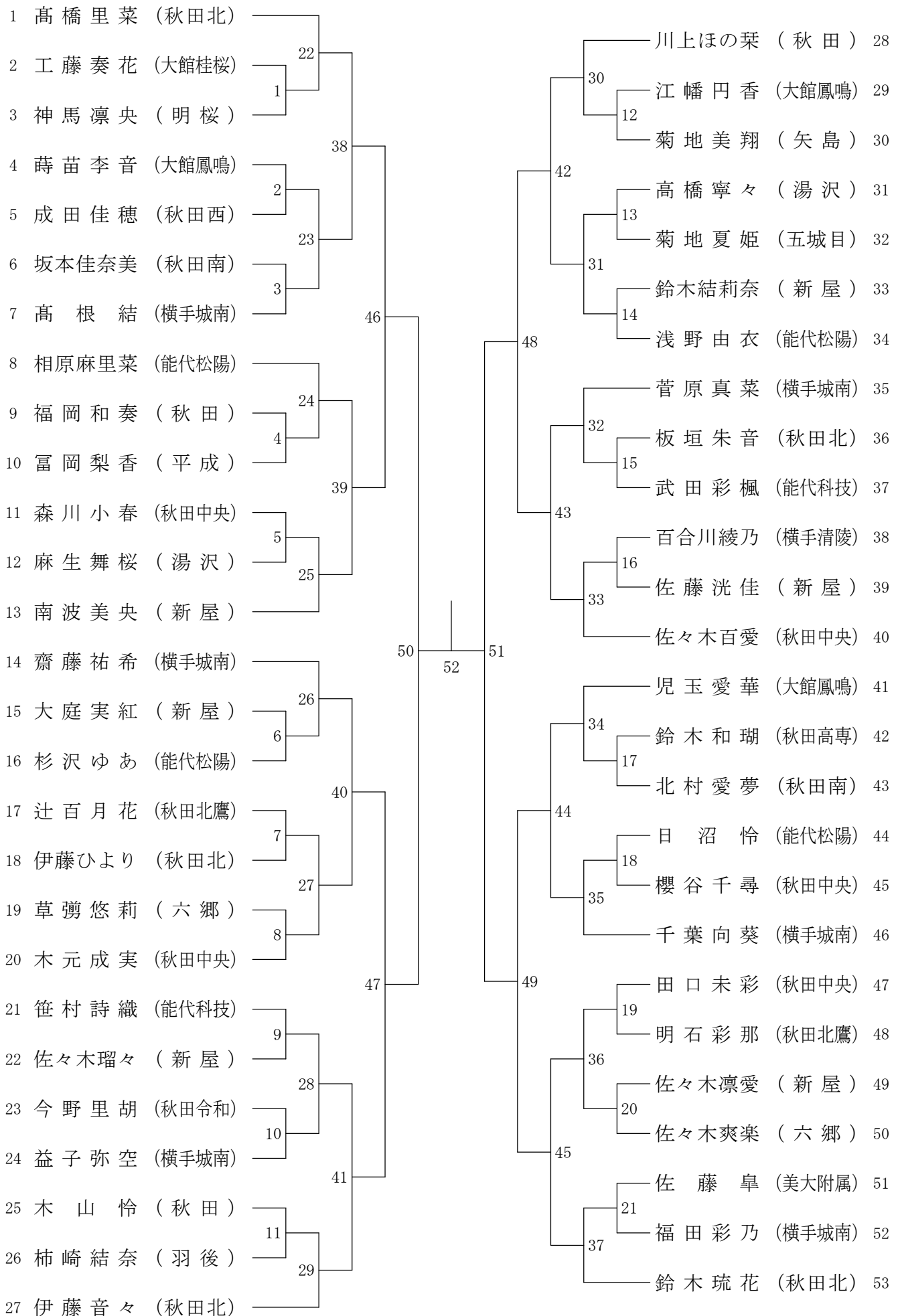
女子ダブルス 2部



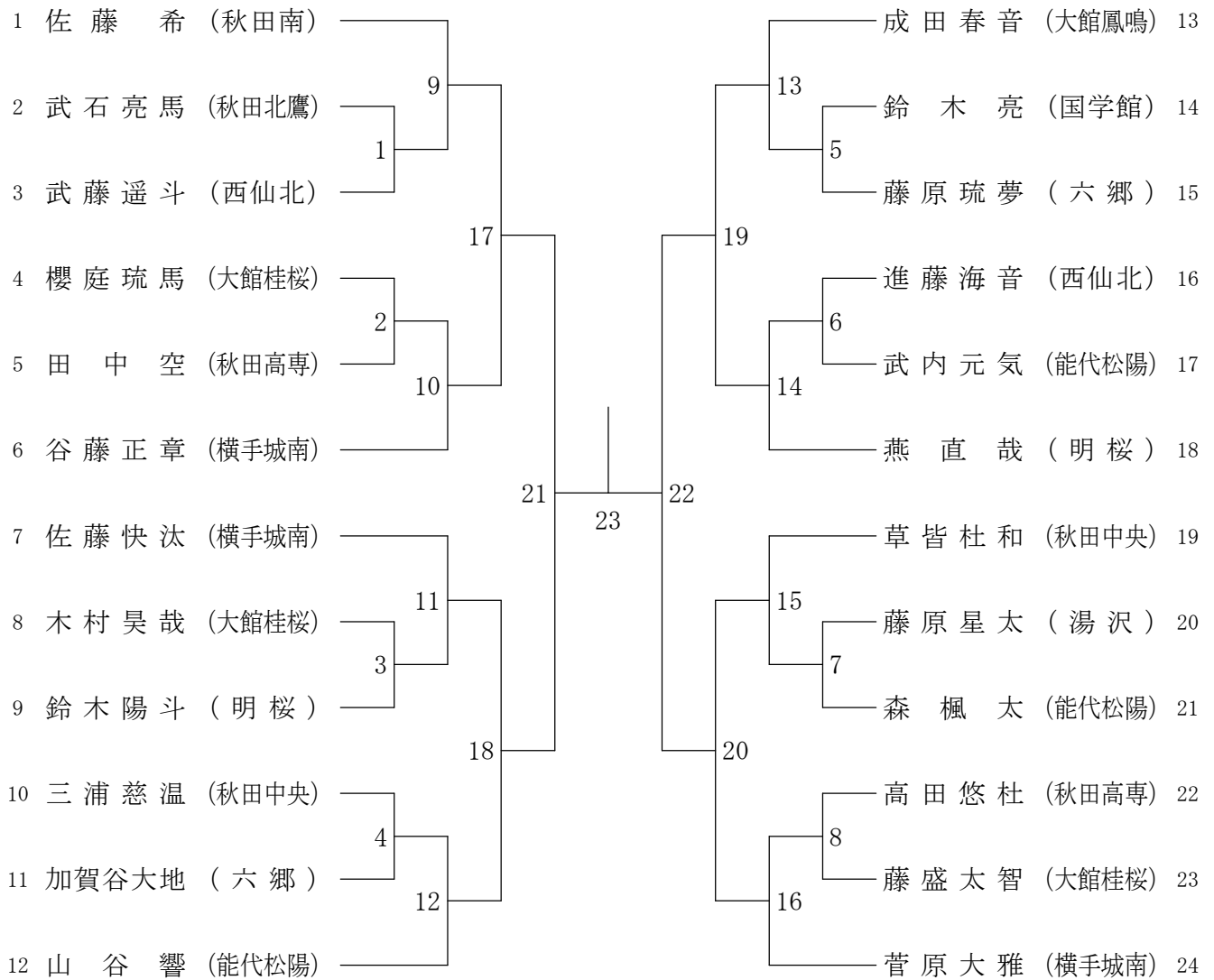
男子シングルス1部



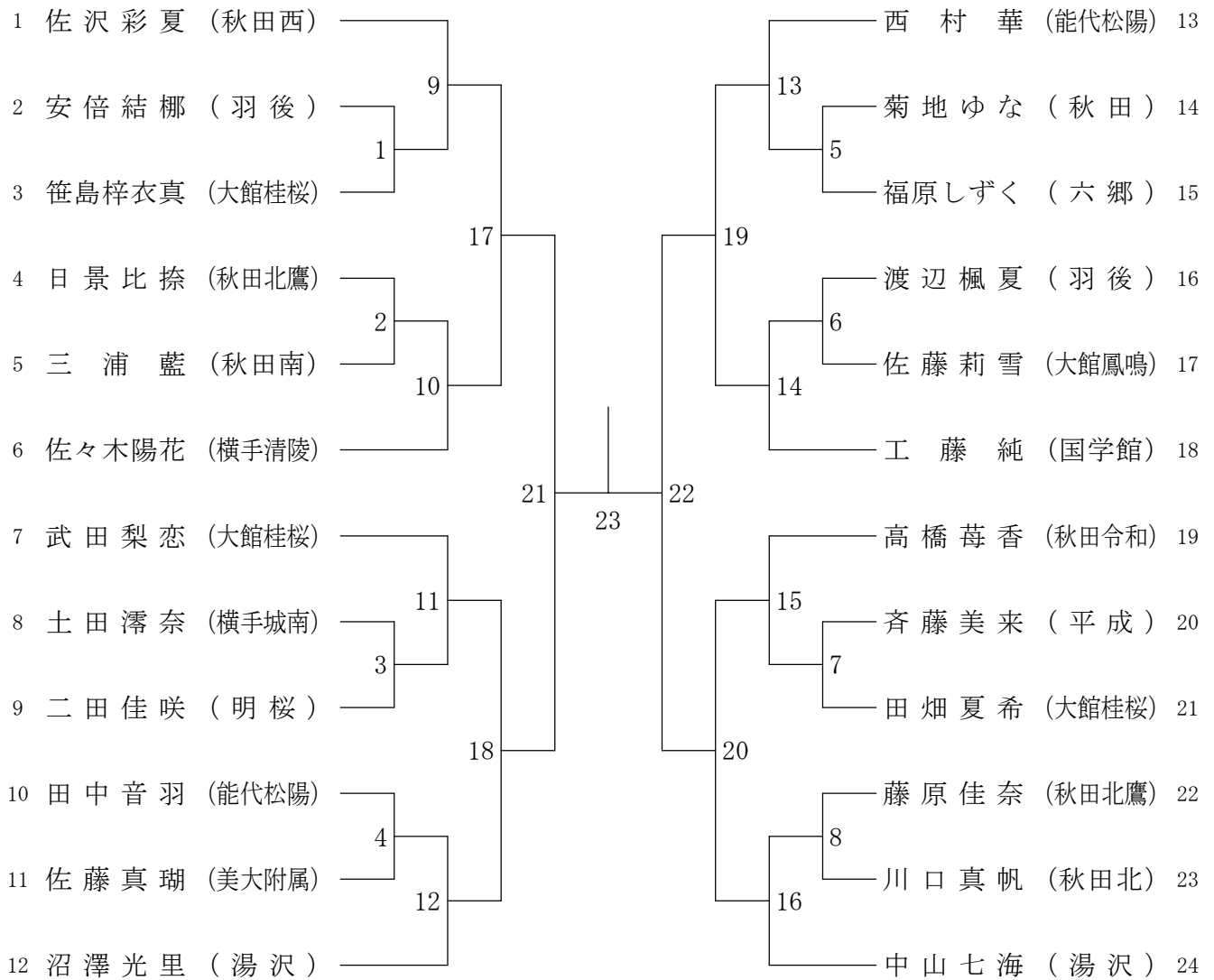
女子シングルス1部



男子シングルス 2部



女子シングルス 2部



タイムテーブル

| | | | | 1 | 2 | 3 | 4 | 5 | 6 | 7 | 8 | 9 | 10 | 11 | 12 | |
|---------------------|--|-----|-------|-------|------|------|------|------|------|------|------|------|------|------|------|------|
| 一日目 12月4日 (土) | | GT | BT | 9:05 | 開始式 | | | | | | | | | | | |
| | | 1回戦 | | 9:30 | GT1 | GT1 | GT2 | GT2 | BT1 | BT1 | BT2 | BT2 | BT3 | BT3 | BT4 | BT4 |
| | | | 1回戦 | 10:30 | BT5 | BT5 | BT6 | BT6 | BT7 | BT7 | BT8 | BT8 | BT9 | BT9 | GT3 | GT3 |
| | | | | 11:30 | GT4 | GT4 | GT5 | GT5 | GT6 | GT6 | GT7 | GT7 | GT8 | GT8 | GT9 | GT9 |
| | | | 2回戦 | 12:30 | GT10 | GT10 | BT10 | BT10 | BT11 | BT11 | BT12 | BT12 | BT13 | BT13 | BT14 | BT14 |
| | | | 2回戦 | 13:30 | BT15 | BT15 | BT16 | BT16 | BT17 | BT17 | GT11 | GT11 | GT12 | GT12 | GT13 | GT13 |
| | | | 3回戦 | 14:30 | GT14 | GT14 | BT18 | BT18 | BT19 | BT19 | BT20 | BT20 | BT21 | BT21 | | |
| | | | 準決 | 15:30 | GT15 | GT15 | GT15 | GT16 | GT16 | GT16 | | | | | | |
| | | | 16:30 | | | | | | | BT22 | BT22 | BT22 | BT23 | BT23 | BT23 | |

| | | | | 1 | 2 | 3 | 4 | 5 | 6 | 7 | 8 | 9 | 10 | 11 | 12 | | | |
|---------------------|------|------|-------|-------|-------|---------|---------|---------|---------|---------|---------|---------|---------|---------|---------|---------|---------|---------|
| 二日目 12月5日 (日) | | 決勝 | 決勝 | 9:05 | GT18 | GT18 | GT18 | GT17 | GT17 | GT17 | BT24 | BT24 | BT24 | BT25 | BT25 | BT25 | | |
| | I GD | I BD | II GD | II BD | | | | | | | | | | | | | | |
| | | | | | 10:00 | I GD1 | I GD2 | I GD3 | I GD4 | I GD5 | I GD6 | I GD7 | I GD8 | I GD9 | I GD10 | I GD11 | I GD12 | |
| | | | 1回戦 | | 10:20 | I GD13 | I GD14 | I GD15 | I GD16 | I GD17 | I GD18 | I BD1 | I BD2 | I BD3 | I BD4 | I BD5 | I BD6 | |
| | | | | | 10:40 | I BD7 | I BD8 | I BD9 | I BD10 | I BD11 | I BD12 | I BD13 | I BD14 | I BD15 | I BD16 | I BD17 | I BD18 | |
| | | | 1回戦 | | 11:00 | I BD19 | I BD20 | I BD21 | I BD22 | I BD23 | I BD24 | I BD25 | I BD26 | I BD27 | II GD1 | II GD2 | II GD3 | |
| | | | 1回戦 | 1回戦 | 11:20 | II GD4 | II GD5 | II GD6 | II BD1 | II BD2 | II BD3 | II BD4 | II BD5 | II BD6 | II BD7 | II BD8 | I GD19 | |
| | | | | | 11:40 | I GD20 | I GD21 | I GD22 | I GD23 | I GD24 | I GD25 | I GD26 | I GD27 | I GD28 | I GD29 | I GD30 | I GD31 | |
| | | | 2回戦 | | 12:00 | I GD32 | I GD33 | I GD34 | I BD28 | I BD29 | I BD30 | I BD31 | I BD32 | I BD33 | I BD34 | I BD35 | I BD36 | |
| | | | 2回戦 | | 12:20 | I BD37 | I BD38 | I BD39 | I BD40 | I BD41 | I BD42 | I BD43 | II GD7 | II GD8 | II GD9 | II GD10 | II GD11 | |
| | | | 2回戦 | 2回戦 | 12:40 | II GD12 | II GD13 | II GD14 | II BD9 | II BD10 | II BD11 | II BD12 | II BD13 | II BD14 | II BD15 | II BD16 | I GD35 | |
| | | | 3回戦 | | 13:00 | I GD36 | I GD37 | I GD38 | I GD39 | I GD40 | I GD41 | I GD42 | I BD44 | I BD45 | I BD46 | I BD47 | I BD48 | |
| | | | 3回戦 | 3回戦 | 13:20 | I BD49 | I BD50 | I BD51 | II GD15 | II GD16 | II GD17 | II GD18 | II BD17 | II BD18 | II BD19 | II BD20 | I GD43 | |
| | | 準々 | 準々 | 準決 | 準決 | 13:40 | I GD44 | I GD45 | I GD46 | I BD52 | I BD53 | I BD54 | I BD55 | | II GD19 | II GD20 | II BD21 | II BD22 |
| | | 準決 | 準決 | | | 14:00 | I GD47 | I GD48 | I BD56 | I BD57 | I GS1 | I GS2 | I GS3 | I GS4 | I GS5 | I GS6 | I GS7 | I GS8 |
| | | | 決勝 | 決勝 | | 14:20 | II GD21 | II BD23 | I GS9 | I GS10 | I GS11 | I GS12 | I GS13 | I GS14 | I GS15 | I GS16 | I GS17 | I GS18 |
| | | 決勝 | 決勝 | | | 14:40 | I GD49 | I BD58 | I GS19 | I GS20 | I GS21 | II GS1 | II GS2 | II GS3 | II GS4 | II GS5 | II GS6 | II GS7 |
| | | 1回戦 | 1回戦 | 1回戦 | | 15:00 | II GS8 | II BS1 | II BS2 | II BS3 | II BS4 | II BS5 | II BS6 | II BS7 | II BS8 | I BS1 | I BS2 | I BS3 |
| | | | | | | 15:20 | I BS4 | I BS5 | I BS6 | I BS7 | I BS8 | I BS9 | I BS10 | I BS11 | I BS12 | I BS13 | I BS14 | I BS15 |
| | | | | | | 15:40 | I BS16 | I BS17 | I BS18 | I BS19 | I BS20 | I BS21 | I BS22 | I BS23 | I BS24 | I BS25 | I BS26 | I BS27 |
| | | | 1回戦 | | 16:00 | I BS28 | I BS29 | I BS30 | I BS31 | I BS32 | I BS33 | II GS9 | II GS10 | II GS11 | II GS12 | II GS13 | II GS14 | |
| | | | 2回戦 | 2回戦 | 16:20 | II GS15 | II GS16 | II BS9 | II BS10 | II BS11 | II BS12 | II BS13 | II BS14 | II BS15 | II BS16 | | | |

| | | | | 1 | 2 | 3 | 4 | 5 | 6 | 7 | 8 | 9 | 10 | 11 | 12 | | | |
|---------------------|------|------|-------|-------|-------|---------|---------|---------|---------|--------|--------|--------|--------|---------|---------|---------|---------|---------|
| 三日目 12月6日 (月) | I GS | I BS | II GS | II BS | 9:05 | I GS22 | I GS23 | I GS24 | I GS25 | I GS26 | I GS27 | I GS28 | I GS29 | I GS30 | I GS31 | I GS32 | I GS33 | |
| | | | 2回戦 | | 9:25 | I GS34 | I GS35 | I GS36 | I GS37 | I BS34 | I BS35 | I BS36 | I BS37 | I BS38 | I BS39 | I BS40 | I BS41 | |
| | | | 2回戦 | 3回戦 | 9:45 | I BS42 | I BS43 | I BS44 | I BS45 | I BS46 | I BS47 | I BS48 | I BS49 | II GS17 | II GS18 | II GS19 | II GS20 | |
| | | | 3回戦 | | 10:05 | II BS17 | II BS18 | II BS19 | II BS20 | I GS38 | I GS39 | I GS40 | I GS41 | I GS42 | I GS43 | I GS44 | I GS45 | |
| | | | 3回戦 | 準決 | 準決 | 10:25 | I BS50 | I BS51 | I BS52 | I BS53 | I BS54 | I BS55 | I BS56 | I BS57 | II GS21 | II GS22 | II BS21 | II BS22 |
| | | 準々 | | | 10:50 | I GS46 | I GS47 | I GS48 | I GS49 | | | | | | | | | |
| | | 準々 | 決勝 | 決勝 | 11:15 | | | | | I BS58 | I BS59 | I BS60 | I BS61 | | II GS23 | | II BS23 | |
| | | 準決 | | | 11:40 | | I GS50 | | I GS51 | | | | | | | | | |
| | | | 準決 | | 12:05 | | | | | | | I BS62 | | I BS63 | | | | |
| | | 決勝 | | | 12:30 | | I GS52 | | | | | | | | | | | |
| | | 決勝 | | 12:55 | | | | | | | | | | I BS64 | | | | |
| 決勝終了後 閉会式 | | | | | | | | | | | | | | | | | | |